

CONSTRUCTION DRAWING

GENERAL NOTES
 1. This drawing is copyright and is the property of ANW Architects Sdn. Bhd. No part or whole drawings may be copied/reproduced without permission.
 2. Contractors must check all dimensions on site. Only figure dimensions are to be worked on.
 3. All discrepancies must be reported immediately to the architect before proceeding.

PROJECT NAME
PROPOSED DESIGN OF THERAPEUTIC PERFORMING ARTS CENTER AT JALAN AMPANG, 50100, KUALA LUMPUR.

ARCHITECT
 Level 5-09 Block E,
 No. 1, Jalan Taylor's, 47700 Subang Jaya,
 Selangor Darul Ehsan, Malaysia.
 Tel: +603-2282 5500 Fax: +603-2282 5551
 Website: www.anwglobal.com
 Email: info@anwglobal.net



Signature: **HOO ZHI XIN**

"Saya mempercayai bahawa detail-detailed dalam pelan-pelan ini adalah menurut pengetahuan dan pengalaman saya sebagai seorang Insinyur Struktur dan Elektrik." (I believe that the details in these drawings are according to my knowledge and experience as a Structural and Electrical Engineer.)

CIVIL AND STRUCTURAL ENGINEER
DK Engineering Sdn. Bhd. (021104-K)
 No. 11-12, Jalan Jagalah 2/5,
 52200 Kuala Lumpur,
 Federal Territory of Kuala Lumpur, Malaysia.
 Tel: +603-2282 8807 Fax: +603-2282 7778
 Email: info@dk-engineering.net

MECHANICAL AND ELECTRICAL ENGINEER
THY Expert & Co. (P50208-K)
 Lot 8, Jalan Merdeka,
 47100 Putrajaya,
 Selangor Darul Ehsan, Malaysia.
 Tel: +603-2282 1939 Fax: +603-2282 1390
 Email: info@thy_expert.net

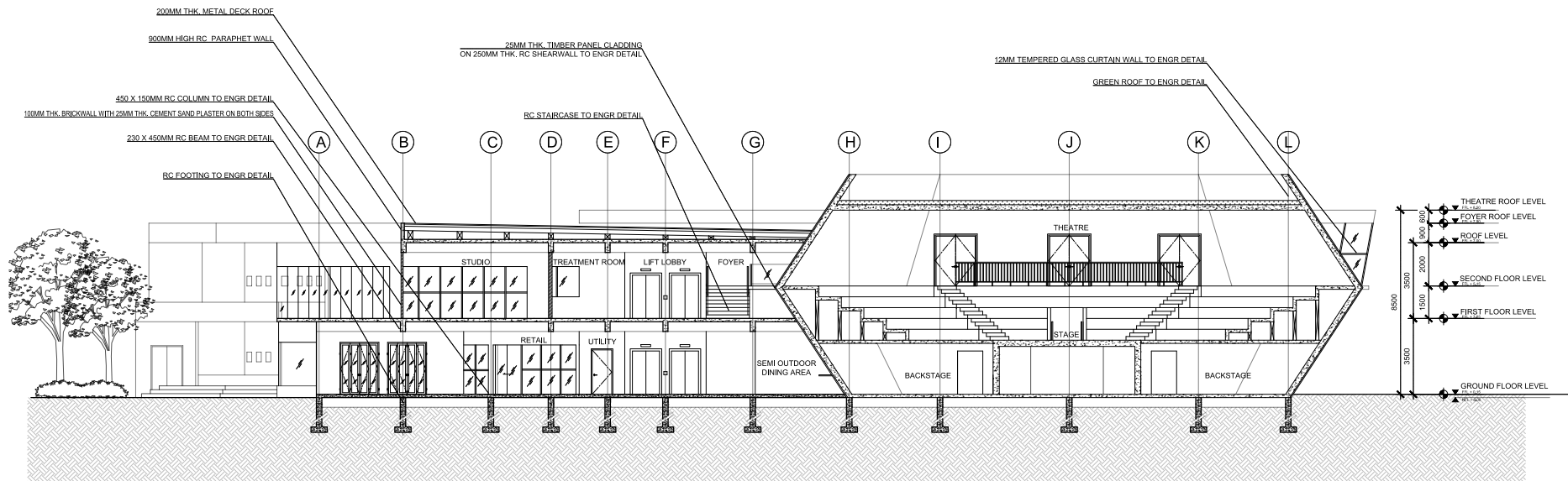
QUANTITY SURVEYOR
HOO Consultancy Sdn. Bhd. (030211-K)
 No. 20, Jalan Duta Kinca,
 50400 Kuala Lumpur,
 Federal Territory of Kuala Lumpur, Malaysia.
 Tel: +603-2029 1930 Fax: +603-2029 2000
 Email: info@hooconsultancy.net

DRAWING TITLE
CROSS SECTION

DRAWING NO.
2015/ANW/ARC3524/BT2/P2/01

DRAWN BY HOO ZHI XIN	CHECKED BY Ar. PRINCE FAVIS ISIP
SCALE 1:100	DATE 24th JUNE 2015

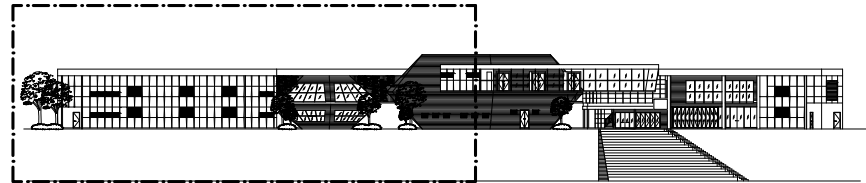
SHEET NO.
01
07



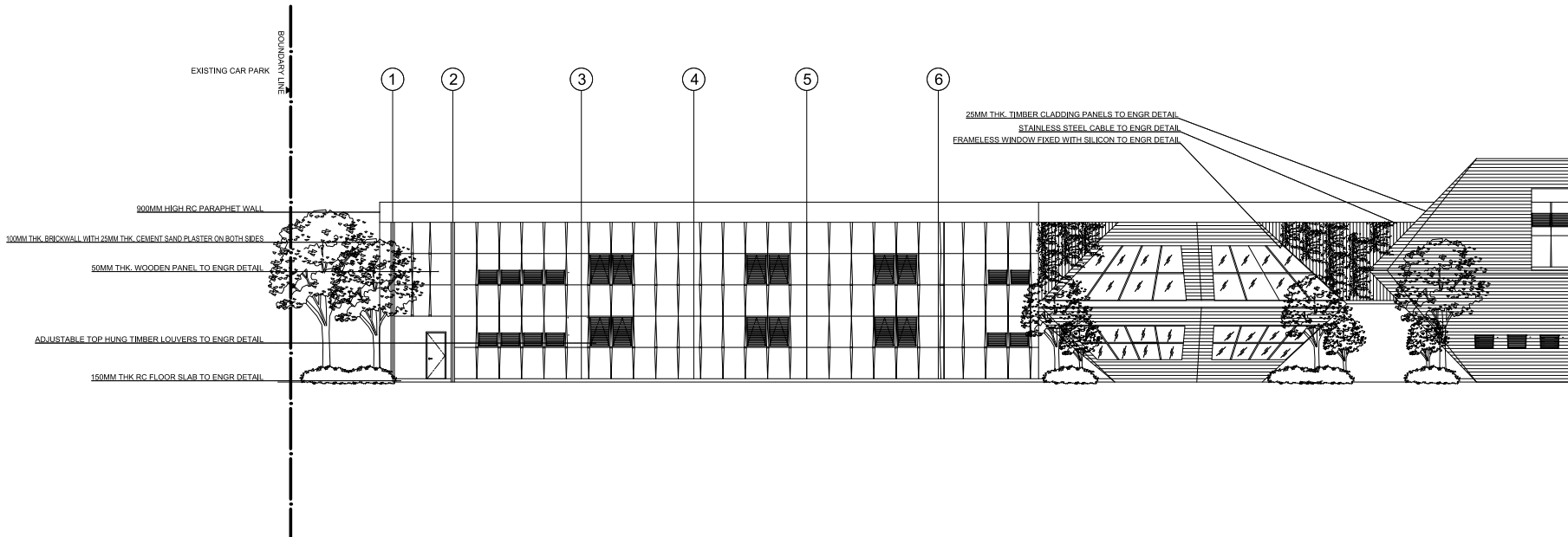
CS CROSS SECTION
P2.1.1 SCALE 1 : 100

** NOTE : ALL DRAWINGS ARE TO BE PRINTED ON A1 SIZE PAPER

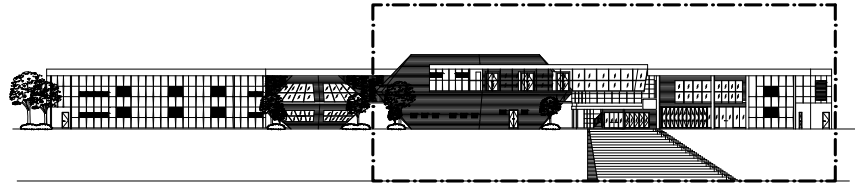
CONSTRUCTION DRAWING	
<p>GENERAL NOTES:</p> <ol style="list-style-type: none"> 1. This drawing is copyright and is the property of ANW Architects Sdn. Bhd. No part or whole drawings may be copied, reproduced or used without permission. 2. Contractors must check all dimensions on site. Only figure dimensions are to be worked on. 3. All discrepancies must be reported immediately to the architect before proceeding. 	
<p>PROJECT NAME: PROPOSED DESIGN OF THERAPEUTIC PERFORMING ARTS CENTER AT JALAN AMPANG, 50100, KUALA LUMPUR.</p>	
<p>ARCHITECT:</p> <p style="font-size: small;">Level 5-09 Block E, No. 1, Jalan Taylor, 47100 Subang Jaya, Selangor Darul Ehsan, Malaysia. Tel : +603-2882 5050 Fax : +603-2882 5551 Website: www.amwglobal.com Email : info@amwglobal.net</p> <div style="text-align: center;">  <p>AMW GLOBAL ARCHITECTS MALAYSIA</p> </div> <p>signature : HOO ZHI XIN</p> <p style="font-size: x-small;">"Saya memohon bahawa detail-detailed dalam plan-plan ini adalah menurut pengetahuan dan pengalaman saya sebagai seorang arsitek." (I request that the details in the plans are according to my knowledge and experience as an architect.)</p>	
<p>CIVIL AND STRUCTURAL ENGINEER: DK Engineering Sdn. Bhd. (021104-K) No. 11/12, Jalan Kuching 2/5, 62000 Kuala Lumpur, Federal Territory of Kuala Lumpur, Malaysia. Tel : +603-2382 8887 Fax : +603-2382 7778 Email : info@dk-engineering.net</p>	
<p>MECHANICAL AND ELECTRICAL ENGINEER: THY Expert & Co. (P50208-K) Lot 8, Jalan Merdeka, 47100 Putrajaya, Selangor Darul Ehsan, Malaysia. Tel : +603-8832 1000 Fax : +603-8832 1000 Email : info@thy_expert.net</p>	
<p>QUANTITY SURVEYOR: HOO Consultancy Sdn. Bhd. (030217-K) No. 20, Jalan Duta Kiara, 50480 Kuala Lumpur, Federal Territory of Kuala Lumpur, Malaysia. Tel : +603-2029 1000 Fax : +603-2029 2000 Email : info@hooconsultancy.net</p>	
<p>DRAWING TITLE: RIVERFRONT ELEVATION (SOUTHWEST ELEVATION)</p>	
<p>DRAWING NO.: 2015/ANW/ARC3524/BT2/P2/02</p>	
<p>DRAWN BY: HOO ZHI XIN</p>	<p>CHECKED BY: Ar. PRINCE FAVIS ISIP</p>
<p>SCALE: 1 : 100</p>	<p>DATE: 24th JUNE 2015</p>
<p>SHEET NO.: <div style="float: right; font-size: 2em; font-weight: bold;">02</div> <div style="float: right; font-size: 2em; font-weight: bold;">07</div> </p>	



KE KEY ELEVATION
P2.2.0 NTS

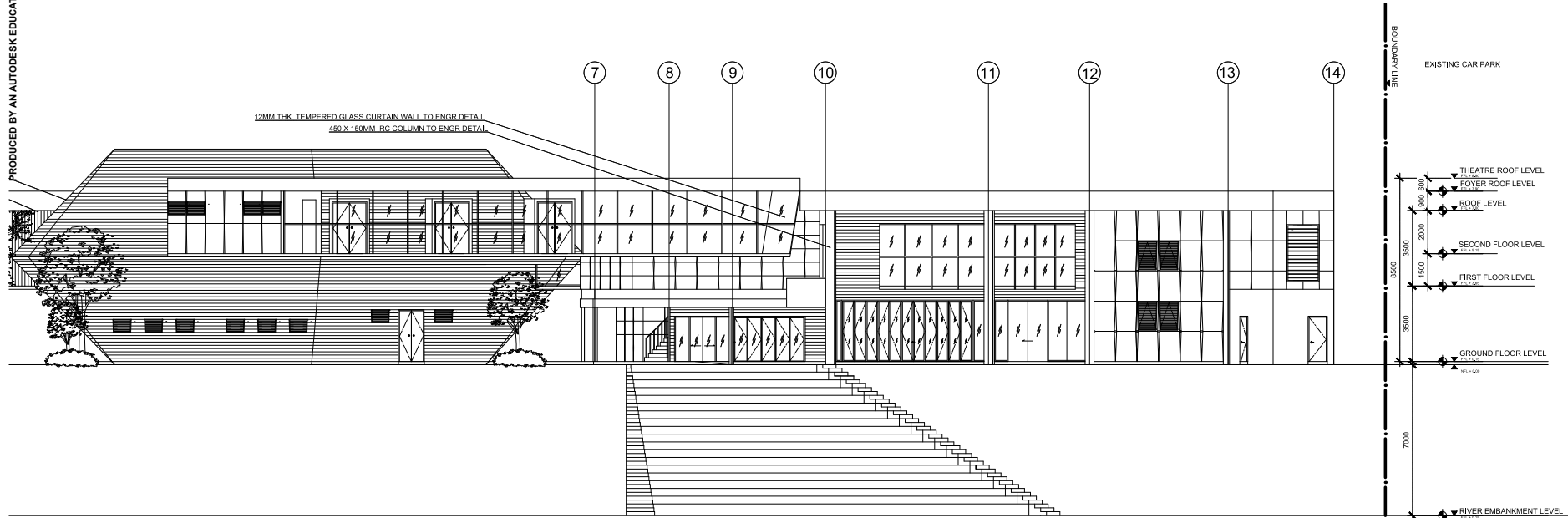


SWE SOUTHWEST ELEVATION
P2.2.1 (RIVERFRONT ELEVATION)
SCALE 1 : 100




KE KEY ELEVATION
P2.0 NTS

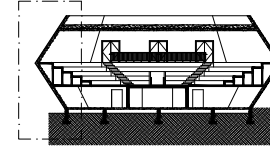
PRODUCED BY AN AUTODESK EDUCATIONAL PRODUCT



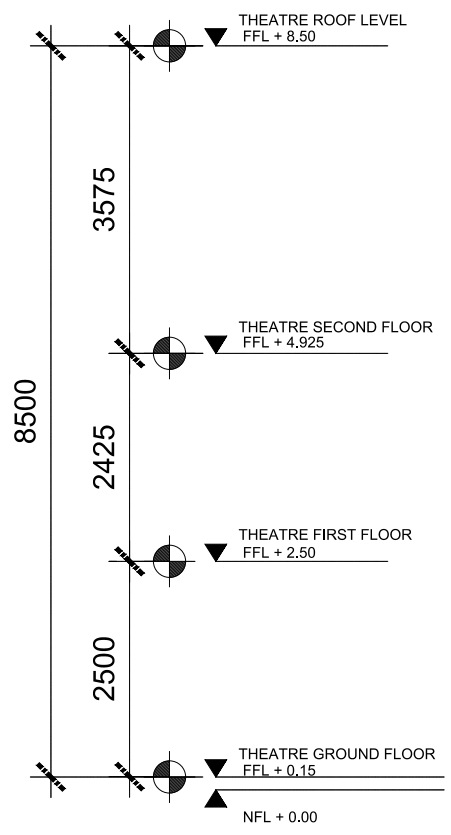
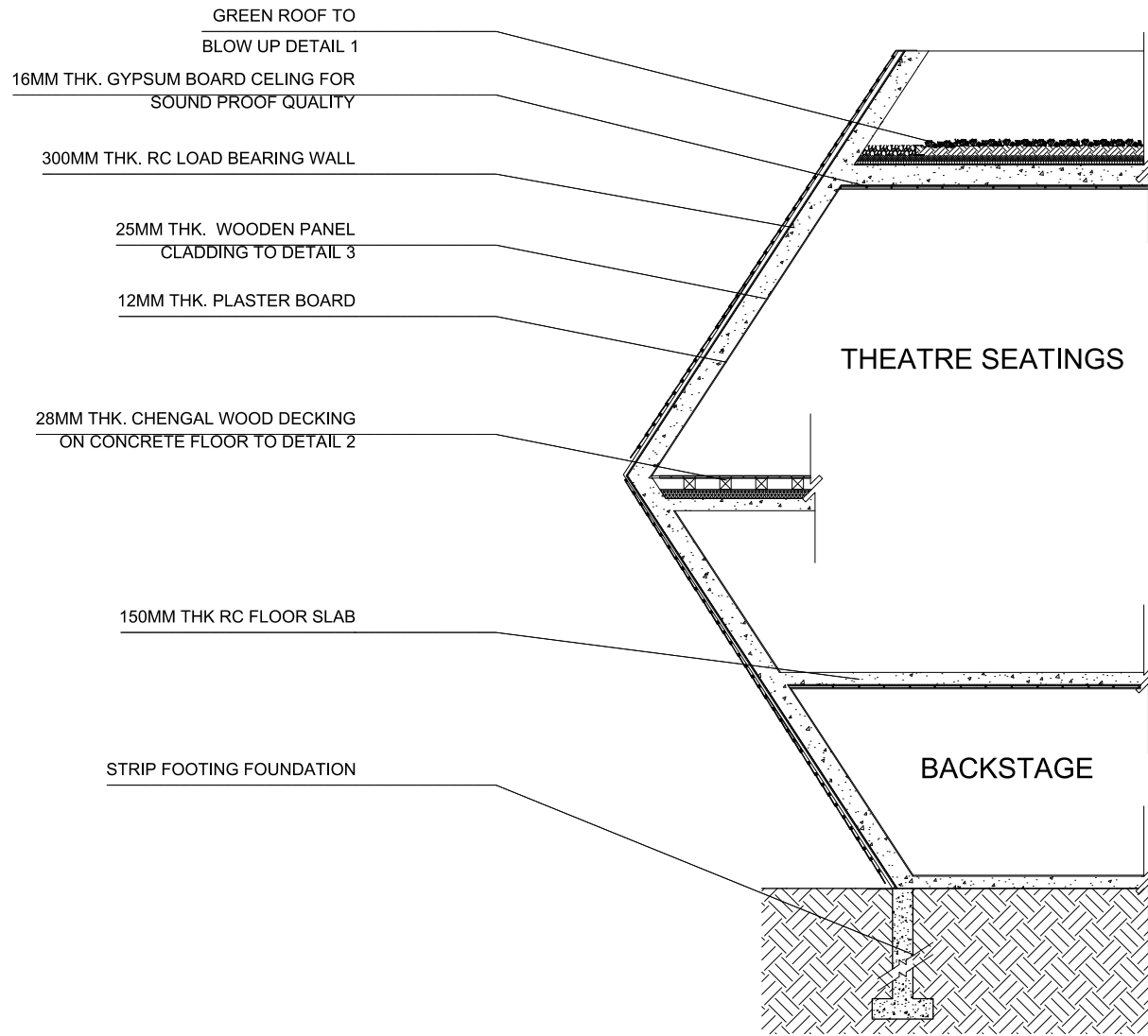
SWE SOUTHWEST ELEVATION
P2.1 (RIVERFRONT ELEVATION)
SCALE 1 : 100

CONSTRUCTION DRAWING	
<p>GENERAL NOTES:</p> <p>1. This drawing is copyrighted and is the property of ANW Architects Sdn. Bhd. No part or whole drawings shall be copied, reproduced or used without permission.</p> <p>2. Contractors must check all dimensions on site. Only figure dimensions are to be worked on.</p> <p>3. All discrepancies must be reported immediately to the architect before proceeding.</p>	
<p>PROJECT NAME: PROPOSED DESIGN OF THERAPEUTIC PERFORMING ARTS CENTER AT JALAN AMPANG, 50100, KUALA LUMPUR.</p>	
<p>ARCHITECT:</p> <p>Level 5-09 Block E, No. 1, Jalan Taylor, 47100 Subang Jaya, Selangor Darul Ehsan, Malaysia. Tel : +603-2882 5050 Fax : +603-2882 5551 Website : www.anwglobal.com Email : info@anwglobal.net</p> <p style="text-align: center;">  ANW ARCHITECTS MALAYSIA </p> <p>Signature : HOO ZHI XIN</p> <p><small>*Saya memohon bimbingan dan-ditulis dalam perancangan ini adalah memuatlah beberapa bahagian yang berkaitan dengan perancangan (Bilik Persembakan Kuala Lumpur) SDG dan saya sangat mengagungkannya dengan kesempurnaan.*</small></p>	
<p>CIVIL AND STRUCTURAL ENGINEER: DK Engineering Sdn. Bhd. (001104-K) No. 11/2, Jalan Sgapih 2/5, 62000 Kuala Lumpur, Federal Territory of Kuala Lumpur, Malaysia. Tel : +603-2262 8887 Fax : +603-2262 7778 Email : info@dk-engineering.net</p>	
<p>MECHANICAL AND ELECTRICAL ENGINEER: THY Expert & Co. (P02028-K) Lot 8, Jalan Merdeka, 47100 Putrajaya, Selangor Darul Ehsan, Malaysia. Tel : +603-8832 1039 Fax : +603-8832 1000 Email : info@thy_expert.net</p>	
<p>QUANTITY SURVEYOR: HOO Consultancy Sdn. Bhd. (030210-K) No. 20, Jalan Duta Kiara, 50400 Kuala Lumpur, Federal Territory of Kuala Lumpur, Malaysia. Tel : +603-2020 1050 Fax : +603-2020 2000 Email : info@hooconsultancy.net</p>	
<p>DRAWING TITLE: RIVERFRONT ELEVATION (SOUTHWEST ELEVATION)</p>	
<p>DRAWING NO.: 2015/ANW/ARC3524/BT2/P2/03</p>	
<p>DRAWN BY: HOO ZHI XIN</p>	<p>CHECKED BY: Ar. PRINCE FAVIS ISIP</p>
<p>SCALE: 1 : 100</p>	<p>DATE: 24th JUNE 2015</p>
<p>SHEET NO.: 03 07</p>	
<p><small>** NOTE : ALL DRAWINGS ARE TO BE PRINTED ON A1 SIZE PAPER</small></p>	


PRODUCED BY AN AUTODESK EDUCATIONAL PRODUCT



KS KEY SECTION
P3.1.0 NTS

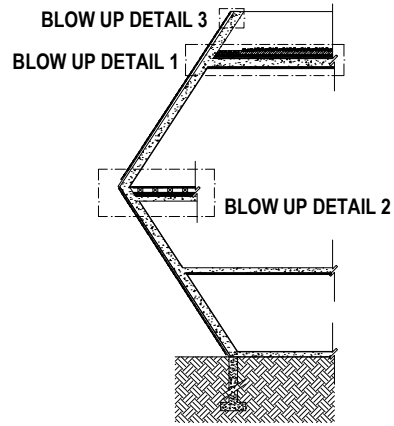


FWS FULL WALL SECTION
P3.1.1 SCALE 1 : 30

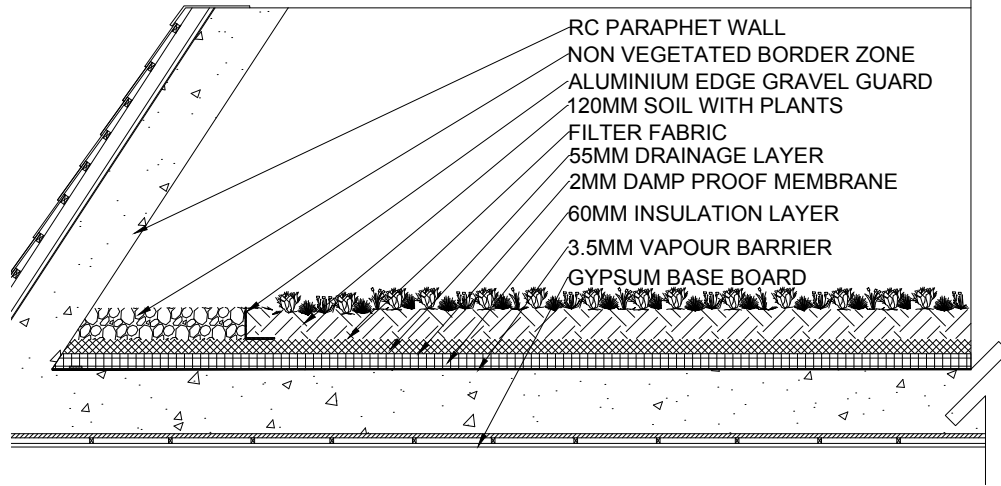
CONSTRUCTION DRAWING	
<p>GENERAL NOTES:</p> <ol style="list-style-type: none"> This drawing is copyright and is the property of ANW Architects Sdn. Bhd. No part or whole drawings shall be copied, reproduced or used without permission. Contractor must check all dimensions on site. Only figure dimensions are to be worked on. All discrepancies must be reported immediately to the architect before proceeding. 	
<p>PROJECT NAME PROPOSED DESIGN OF THERAPEUTIC PERFORMING ARTS CENTER AT JALAN AMPANG, 50100, KUALA LUMPUR.</p>	
<p>ARCHITECT:</p> <p>Level 5-09 Block E, No. 1, Jalan Taylor, 47100 Subang Jaya, Selangor Darul Ehsan, Malaysia. Tel : +603-2882 5050 Fax : +603-2882 5051 Website : www.anwglobal.com Email : info@anwglobal.net</p> <p> signature : HOO ZHI XIN</p> <p><small>*Saya memohon bimbingan dan nasihat dalam pelaksanaan ini adalah menurut kehendak-baharu Undang-undang Bangunan Bersejarah (Undang-Undang Keajaiban Kuala Lumpur) 1984 dan saya setuju untuk mengagihkan perkhidmatan dengan sesempurna.*</small></p>	
<p>CIVIL AND STRUCTURAL ENGINEER DK Engineering Sdn. Bhd. (021104-K) No. 11/12, Jalan Augustin 2/5, 62000 Kuala Lumpur, Federal Territory of Kuala Lumpur, Malaysia. Tel : +603-2382 8887 Fax : +603-2382 7778 Email : info@dk-engineering.net</p>	
<p>MECHANICAL AND ELECTRICAL ENGINEER THY Expert & Co. (502028-K) Lot 8, Jalan Merdeka, 47100 Putrajaya, Selangor Darul Ehsan, Malaysia. Tel : +603-8832 1039 Fax : +603-8832 1000 Email : info@thy_expert.net</p>	
<p>QUANTITY SURVEYOR HOO Consultancy Sdn. Bhd. (031014-K) No. 20, Jalan Duta Kinca, 50400 Kuala Lumpur, Federal Territory of Kuala Lumpur, Malaysia. Tel : +603-2029 1050 Fax : +603-2029 2000 Email : info@hooconsultancy.net</p>	
<p>DRAWING TITLE FULL WALL SECTION</p>	
<p>DRAWING NO. 2015/ANW/ARC3524/BT2/P2/04</p>	
<p>DRAWN BY HOO ZHI XIN</p>	<p>CHECKED BY Ar. PRINCE FAVIS ISIP</p>
<p>SCALE 1:30</p>	<p>DATE 24th JUNE 2015</p>
<p>SHEET NO. 04 07</p>	

PRODUCED BY AN AUTODESK EDUCATIONAL PRODUCT

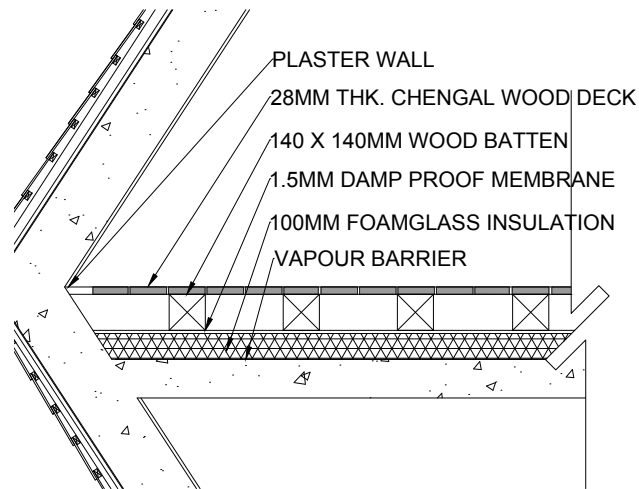
PRODUCED BY AN AUTODESK EDUCATIONAL PRODUCT



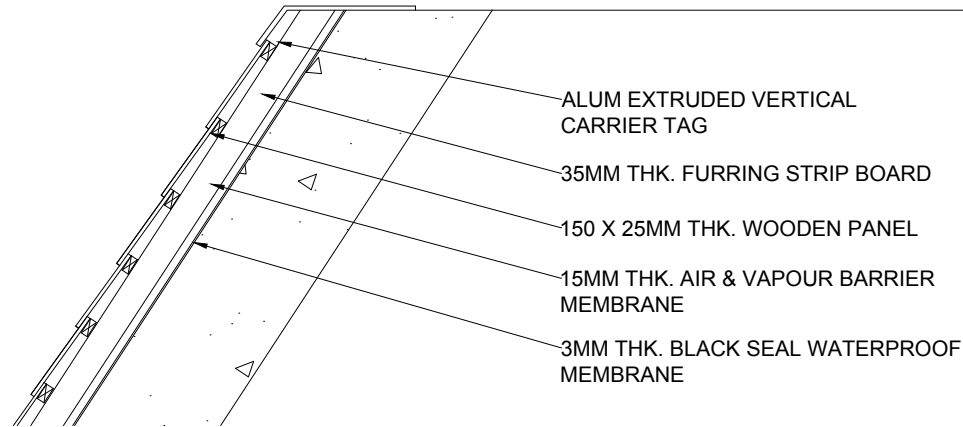
KS KEY SECTION
P4.1.0 NTS



BD1 BLOW UP DETAIL 1 (GREEN ROOF)
P4.1.1 SCALE 1 :10



BD2 BLOW UP DETAIL 2 (TIMBER FLOORING ON CONCRETE FLOOR)
P4.1.2 SCALE 1 :10




BD3 BLOW UP DETAIL 3 (WOODEN PANEL CLADDING DETAIL)
P4.1.3 SCALE 1 :5

CONSTRUCTION DRAWING

GENERAL NOTES:
1. This drawing is copyright and is the property of ANW Architects Sdn. Bhd. No part or whole drawings shall be copied, reproduced or used without permission.
2. Contractors must check all dimensions on site. Only figure dimensions are to be worked on.
3. All discrepancies must be reported immediately to the architect before proceeding.

PROJECT NAME:
PROPOSED DESIGN OF THERAPEUTIC PERFORMING ARTS CENTER AT JALAN AMPANG, 50100, KUALA LUMPUR.

ARCHITECT:

Level 5-09 Block E,
No. 1, Jalan Taylors, 47100 Subang Jaya,
Selangor Darul Ehsan, Malaysia.
Tel : +603-2882 5050 Fax : +603-2882 5551
Website : www.anwglobal.net
Email : info@anwglobal.net

signature : **HOO ZHI XIN**

"Saya mempercayai bahawa detail-detailed dalam pelan-pelan ini adalah menurut pengetahuan dan pengalaman saya sebagai seorang Insinyur Berdaftar dengan Lembaga Insyaqin Malaysia." (I believe that the details in the drawings are according to my knowledge and experience as a Registered Engineer with the Malaysian Engineering Council.)

CIVIL AND STRUCTURAL ENGINEER:
DK Engineering Sdn. Bhd. (021104-K)
No. 11/2, Jalan Sungai 7/5,
62000 Kuala Lumpur,
Federal Territory of Kuala Lumpur, Malaysia.
Tel : +603-2382 8887 Fax : +603-2382 7778
Email : info@dk-engineering.net

MECHANICAL AND ELECTRICAL ENGINEER:
THY Expert & Co. (502028-K)
Lot 8, Jalan Merdeka,
47100 Putrajaya,
Selangor Darul Ehsan, Malaysia.
Tel : +603-2882 1559 Fax : +603-2882 1000
Email : info@thy.expert.net

QUANTITY SURVEYOR:
HOO Consultancy Sdn. Bhd. (030217-K)
No. 20, Jalan Duta Kinca,
50400 Kuala Lumpur,
Federal Territory of Kuala Lumpur, Malaysia.
Tel : +603-2029 1559 Fax : +603-2029 2000
Email : info@hooconsultancy.net

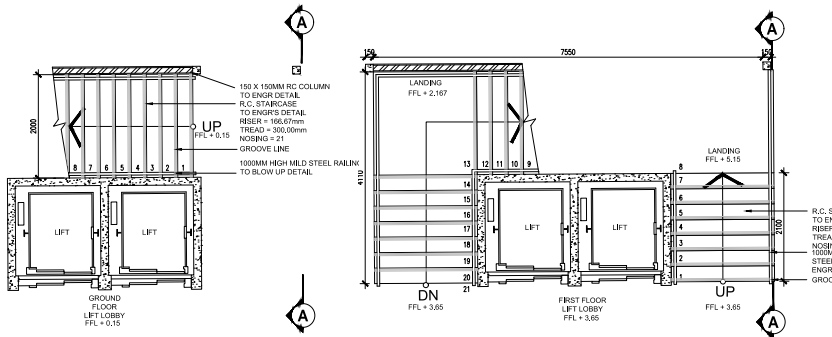
DRAWING TITLE:
BLOW UP DETAIL

DRAWING NO.:
2015/ANW/ARC3524/BT2/P2/05

DRAWN BY: HOO ZHI XIN	CHECKED BY: Ar. PRINCE FAVIS ISIP
---------------------------------	---

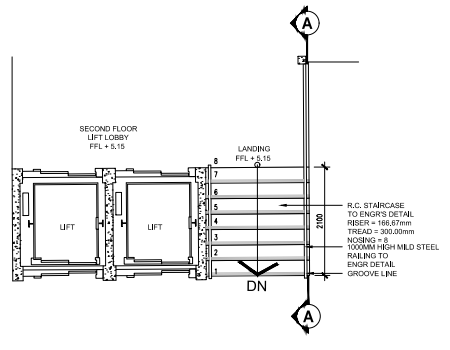
SCALE: 1 : 100	DATE: 24th JUNE 2015
--------------------------	--------------------------------

SHEET NO.:
05
07

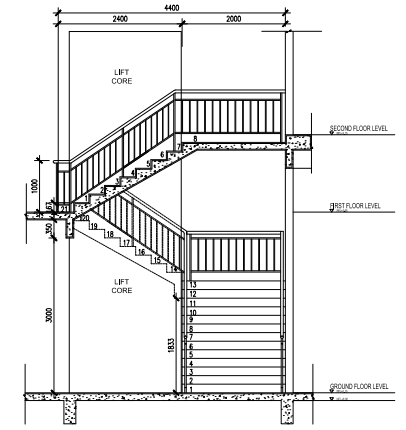


GSP GROUND FLOOR STAIRCASE PLAN
5.1.1 SCALE 1:50

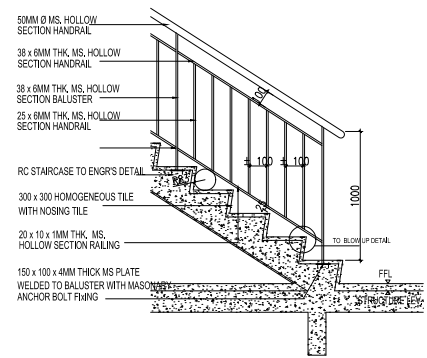
FSP FIRST FLOOR STAIRCASE PLAN
5.1.2 SCALE 1:50



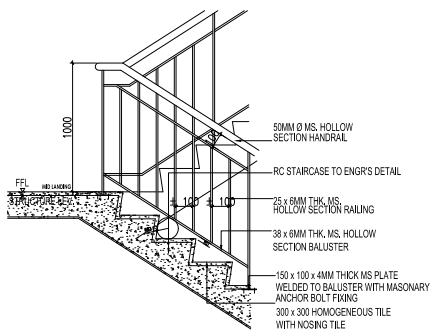
SSP SECOND FLOOR STAIRCASE PLAN
5.1.3 SCALE 1:50



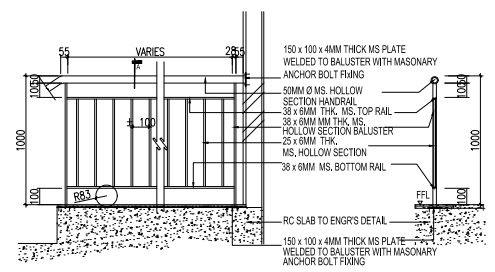
SS STAIRCASE SECTION
5.1.4 SCALE 1:50



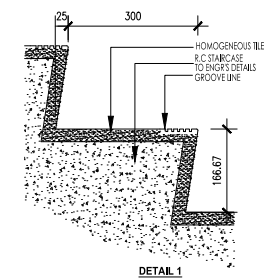
SSD STAIRCASE START DETAIL
5.2.1 SCALE 1:20



SMD STAIRCASE MID LANDING DETAIL
5.2.2 SCALE 1:20



SED STAIRCASE END RAILING DETAIL (HANDRAIL)
5.3.3 SCALE 1:20



ND NOSING DETAIL
5.2.4 SCALE 1:5

CONSTRUCTION DRAWING

GENERAL NOTES

- This drawing is copyright and the property of DMW Architects Sdn. Bhd. No part or whole drawings shall be copied, reproduced or used without permission.
- Contractors must check all dimensions and levels. Only those dimensions are to be worked on.
- All discrepancies must be reported immediately to the architect before proceeding.

PROJECT NAME
PROPOSED DESIGN OF THERAPEUTIC PERFORMING ARTS CENTER AT JALAN AMPANG, 50100, KUALA LUMPUR.

ARCHITECT

Level 5.09 Block E
No. 11, Jalan Taylor's, 47500 Subang Jaya,
Selangor Darul Ehsan, Malaysia.
Tel: +603-2382 5500 Fax: +603-2382 5551
Website: www.ampjtd.com
Email: info@ampjtd.com

signature:

HOO ZHI XIN

CIVIL AND STRUCTURAL ENGINEER
DK Engineering Sdn. Bhd. (021154-K)
No. 11-12, Jalan Augustine 2/5,
52000 Kuala Lumpur,
Federal Territory of Kuala Lumpur, Malaysia.
Tel: +603-2382 8887 Fax: +603-2322 7778
Email: info@dk-engineering.net

MECHANICAL AND ELECTRICAL ENGINEER
THY Expert & Co. (03008-K)
Lot 9, Jalan Meridian,
47100 Subang,
Selangor Darul Ehsan, Malaysia.
Tel: +603-8822 1089 Fax: +603-8822 1000
Email: info@thy-expert.net

QUANTITY SURVEYOR
HOQ Consultancy Sdn. Bhd. (030217-K)
No. 20, Jalan Duta Pines,
50480 Kuala Lumpur,
Federal Territory of Kuala Lumpur, Malaysia.
Tel: +603-2929 1000 Fax: +603-2929 2000
Email: info@hoqconsultancy.net

DRAWING TITLE
STAIRCASE DETAIL

DRAWING NO.
2015/ANW/ARC3524/BT2/P2/06

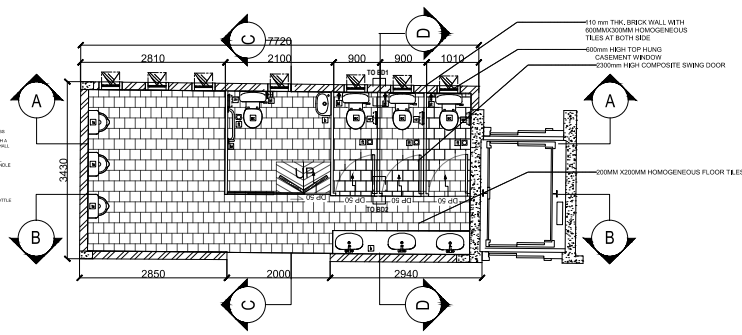
DRAWN BY HOO ZHI XIN	CHECKED BY Ar. PRINCE FAVIS ISIP
SCALE VARIES	DATE 24th JUNE 2015

SHEET NO.

06 / **07**

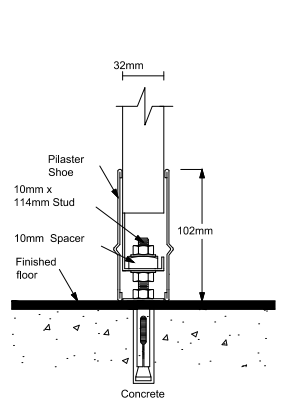
PRODUCED BY AN AUTODESK EDUCATIONAL PRODUCT

PRODUCED BY AN AUTODESK EDUCATIONAL PRODUCT

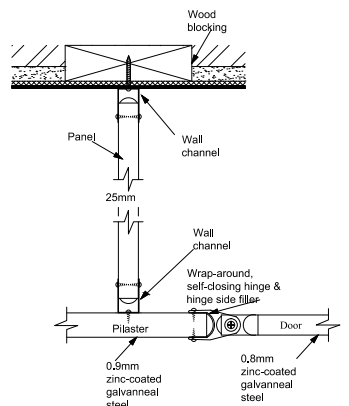


- LEGEND**
- 1. FLOOR FINISH TO BE 100MM THK. POLISHED CONCRETE
 - 2. WALL FINISH TO BE 110MM THK. BRICK WALL WITH 600x600x30MM HOMOGENEOUS TILES AT BOTH SIDES
 - 3. CEILING FINISH TO BE 600mm x 600mm CALCIUM SILICATE BOARD SUSPENDED CEILING
 - 4. PARTITION TO BE 60mm THK. COMPOSITE PARTITION
 - 5. WINDOW TO BE 400mm HIGH TOP HUNG CASEMENT WINDOW
 - 6. DOOR TO BE 2000mm HIGH COMPOSITE SWING DOOR
 - 7. FLOOR FINISH TO BE 100MM THK. POLISHED CONCRETE
 - 8. WALL FINISH TO BE 110MM THK. BRICK WALL WITH 600x600x30MM HOMOGENEOUS TILES AT BOTH SIDES
 - 9. CEILING FINISH TO BE 600mm x 600mm CALCIUM SILICATE BOARD SUSPENDED CEILING
 - 10. PARTITION TO BE 60mm THK. COMPOSITE PARTITION

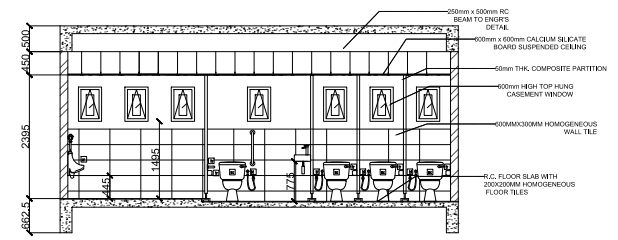
TFP TOILET FLOOR PLAN
 P6.1.1 SCALE 1:50



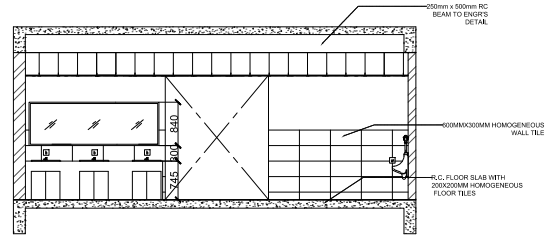
BD1 BLOW UP DETAIL - PARTITION TO FLOOR
 P6.2.1 SCALE 1:2



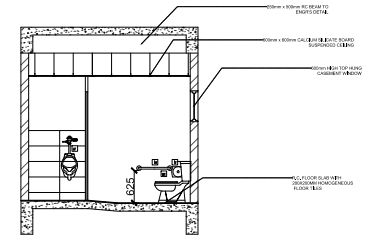
BD2 BLOW UP DETAIL - PARTITION TO WALL
 P6.2.2 SCALE 1:2



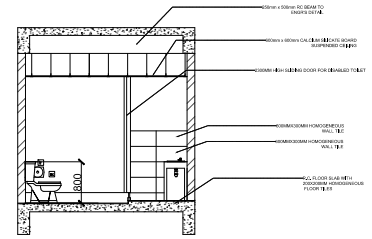
TSA TOILET SECTION A-A
 P6.1.2 SCALE 1:50



TSB TOILET SECTION B-B
 P6.1.3 SCALE 1:50



TSC TOILET SECTION C-C
 P6.1.3 SCALE 1:50



TSD TOILET SECTION D-D
 P6.1.4 SCALE 1:50

CONSTRUCTION DRAWING

GENERAL NOTES

1. This drawing is copyright and is the property of ANW Architects Sdn. Bhd. No part or whole drawings shall be reproduced without permission.
2. Contractors must check all dimensions on site. Only figure dimensions are to be worked on.
3. All discrepancies must be reported immediately to the architect before proceeding.

PROJECT NAME

PROPOSED DESIGN OF THERAPEUTIC PERFORMING ARTS CENTER AT JALAN AMPANG, 50100, KUALA LUMPUR.

ARCHITECT

Level 5/08 Block E,
 No. 1 Jalan Tropic, 47500 Subang Jaya,
 Selangor Darul Ehsan, Malaysia.
 Tel: +603 2282 5500 Fax: +603 2282 5551
 Website: www.anwglobal.com
 Email: info@anwglobal.net

ARCHITECT

ANW ARCHITECTS
 MIA-A/2514

signature: **HOO ZHI XIN**

*Dua (dua) alternatif antara detail detail sistem penderiaan 10 adalah alternatif teknikal-konstruksi Undang-undang Bangunan (Undang-Undang Perundangan Kuala Lumpur) 1954 dan setiap sistem yang digunakan harus dengan kesesuaian.

CIVIL AND STRUCTURAL ENGINEER

DK Engineering Sdn. Bhd. (021104-K)
 No. 11-12, Jalan Angkasa 28,
 62000 Kuala Lumpur,
 Federal Territory of Kuala Lumpur, Malaysia.
 Tel: +603 2282 8807 Fax: +603 2282 7778
 Email: info@dk-engineering.net

MECHANICAL AND ELECTRICAL ENGINEER

THY Expert & Co. (030208-K)
 Lot 6 Jalan Hutan,
 47100 Puchong,
 Selangor Darul Ehsan, Malaysia.
 Tel: +603 2632 1059 Fax: +603 2632 1060
 Email: info@thy_expert.net

QUANTITY SURVEYOR

HOO Consultancy Sdn. Bhd. (030217-K)
 No. 20, Jalan Duta Kinca,
 50485 Kuala Lumpur,
 Federal Territory of Kuala Lumpur, Malaysia.
 Tel: +603 2039 1000 Fax: +603 2039 2000
 Email: info@hooconsultancy.net

DRAWING TITLE

TOILET DETAIL

DRAWING NO.

2015/ANW/ARC3524/BT2/P2/07

DRAWN BY HOO ZHI XIN	CHECKED BY Ar. PRINCE FAVIS ISIP
SCALE 1 : 100	DATE 24th JUNE 2015

SHEET NO.

07

07

* NOTE : ALL DRAWINGS ARE TO BE PRINTED ON A1 SIZE PAPER